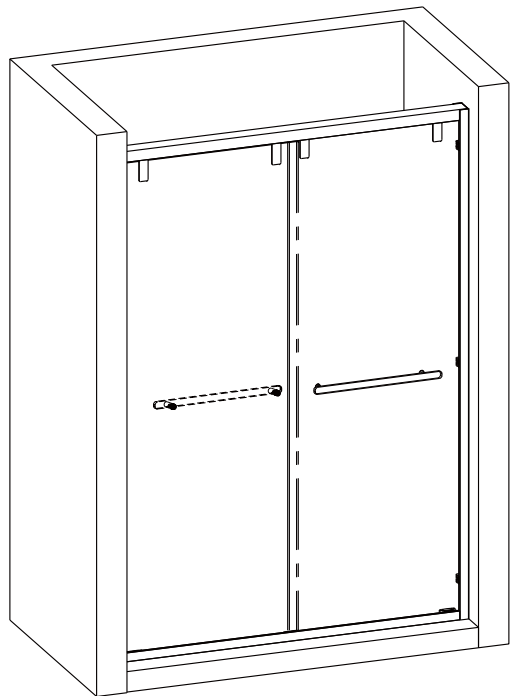


With Explosion-Proof film



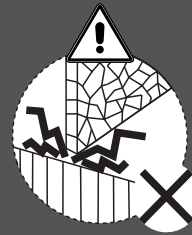
## SHOWER DOOR INSTALLATION INSTRUCTIONS



SD80252-BP-MB  
SD80260-BP-MB



**IMPORTANT**-Please read and follow all warnings and instructions before using this product. Injury can result from improper use. Save this documents.



**WARNING**  
Tempered Glass, please don't hit the corners and the surrounding, otherwise the glass will burst.



### ● General Information

Please inspect the product immediately upon receipt for transit damage, missing packs/parts or manufacturing fault. Damage reported later cannot be accepted. Please handle the product with care avoiding knocks and shock loading to all sides and edges of the glass.

#### **Notes: Safety glass can not be re-worked.**

Please read these instructions carefully before start of installation.

Special care should be taken when drilling walls to avoid hidden pipes or electrical cables.

Note: This product is heavy and may require two people to install.

### Aftercare instructions

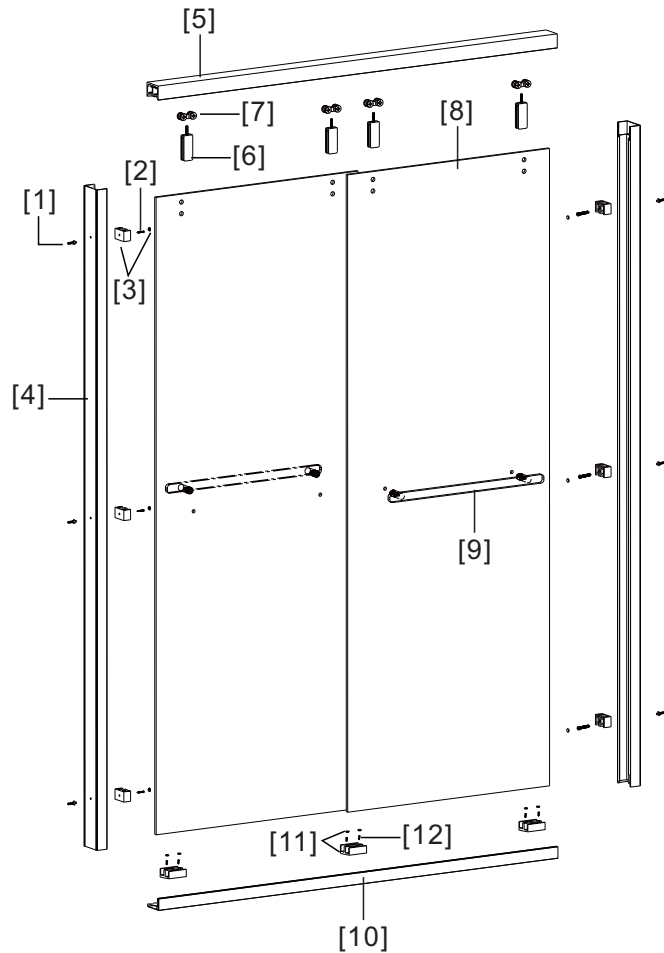
After use, your shower should be cleaned with soap and water. This is particularly important in hard water districts where insoluble lime salts may be deposited and allowed to build up. Cleaners of a gritty or abrasive nature should not be used. Care should be taken to avoid contact with strong chemicals such as organic solvents and strippers.

Glass cleaners can be used but with caution, if in doubt contact the manufacturer of the cleaner in question.

Please keep these instructions for aftercare and customer service details.

ALTAIR  
FASHION BATHROOM LIFE

## Detailed Diagram of shower door components



- |                                       |                                    |
|---------------------------------------|------------------------------------|
| [1] 6X Wall Anchor                    | [7] 4X Stainless steel wheels      |
| [2] 6X Screw ST M4X45                 | [8] 2X Door Panel                  |
| [3] 6X Collision Block;6X Screw cover | [9] 2X Towel Bar                   |
| [4] 2X Wall Jamb                      | [10] 1X Bottom Rail                |
| [5] 1X Top Rail                       | [11] 3X Guide Block;6X screw cover |
| [6] 4X Stainless Steel Clamp          | [12] 6X Screw M4X12                |

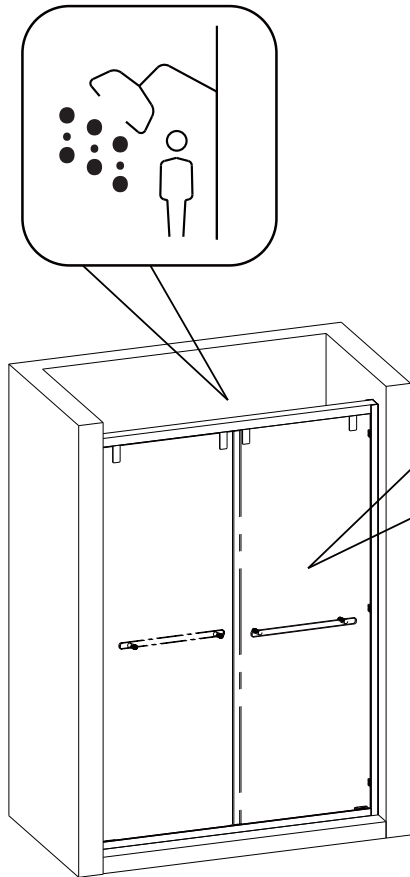
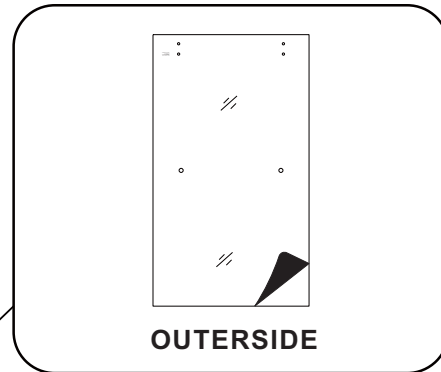
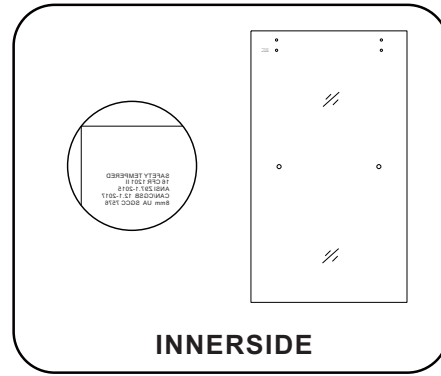
## ● Parts List:

[1]	6X Wall Anchor	➔	
[2]	6X Screw ST M4X45	➔	
[3]	6X Collision Block 6X Screw cover	➔	
[4]	2X Wall Jamb	➔	
[5]	1X Top Rail	➔	
[6]	4X Stainless Steel Clamp	➔	
[7]	4X Stainless Steel wheels	➔	
[8]	2X Door Panel	➔	
[9]	2X Towel Bar	➔	
[10]	1X Bottom Rail	➔	
[11]	3X Guide Block 6X screw cover	➔	
[12]	6X Screw M4X12	➔	

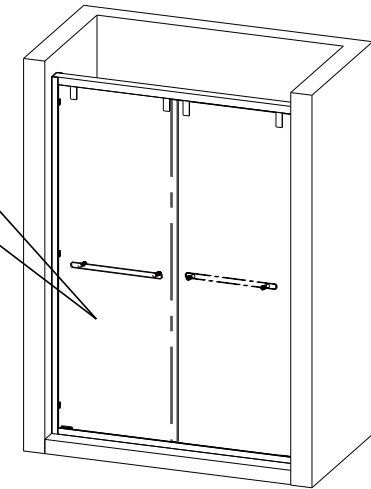
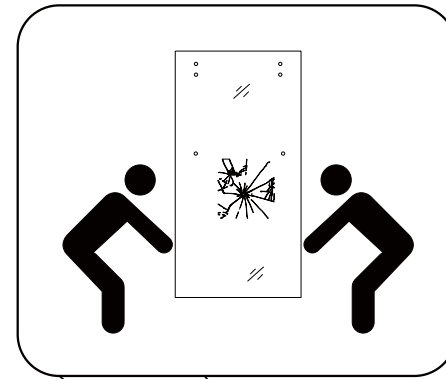
## Important Note

### Attention:

The Glass Shower doors include Explosion-Proof film on the reverse side of the certification printed logo.



**Explosion-Proof film helps to hold glass in place in the event of breakage. So as to prevent the glass shatter will hurt the user. Allowing the panel to be carefully removed by a professional at a later date.**



**In the event of breakage please follow the steps below.**

1. If someone is inside the shower, move the panel slowly out of the way and exit the bathroom as soon as possible. Do not allow anyone to re-enter bathroom until prepared to remove and dispose of broken panel.
2. Utilize safety precautions such as a hard-hat, safety glasses, leather gloves, proper footwear and moving blankets to minimize risk of injury.
3. It is recommended that two people assist in the removal of the panel. One person to hold panel steady, and the other to un-install the hardware. Then carefully remove glass from shower and lay flat on cardboard or plywood until it can be removed. Once laying flat, a razor knife or box cutter can be utilized to cut the film and remove in smaller pieces.



# ● Assembly

01

### WARM TIPS

#### 01:

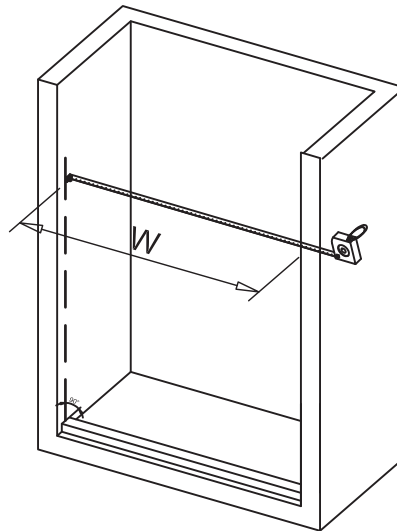
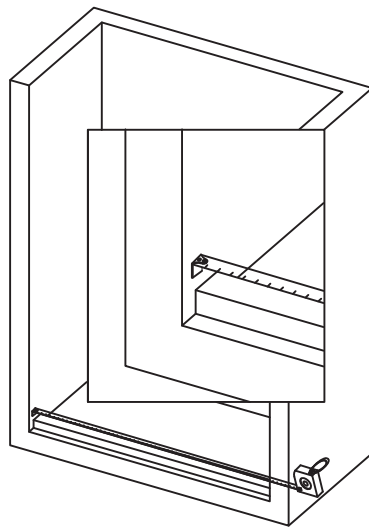
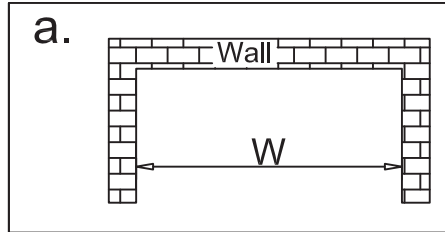
Open the packaging carefully and inspect all the necessary parts using detailed diagram and component list in your manual as a reference. Before discarding the carton, check for small hardware bags that tend to fall to the bottom of the box. If any parts are damaged or missing, please contact us for replacement.

#### 02:

Retain these installation instructions for future use if in need.

1. Measure the distance between two finished walls. This distance is marked as W.

Please see Fig a for details:



02

[5]		1X
[10]		1X

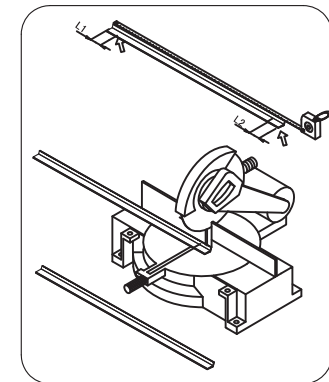
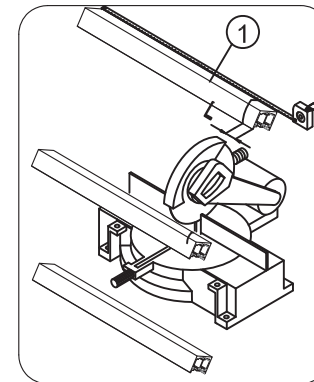
2. Your Upper Guide Rail [5] and Bottom Guide Rail [10] have been precut for your Shower model opening width, eg.60" for shower width. If W-width of your wall-to-wall opening is equal to the size of your Shower model, it is unnecessary to cut the Upper Guide Rail and Bottom Guide Rail and you can continue to Step 3.

If W-width of your wall-to-wall opening is less than the size of your shower model, you will need to cut the Upper Guide Rail [5] and Bottom Guide Rail [10].

1. Cut the Upper Guide Rail [5] at one side only
  2. Cut the bottom Guide Rail [10] **both side**
- The length to cut off will be L:  
 $L = \text{Shower Model Size} - W$   
 L=Subtract W from the size of your Shower model.

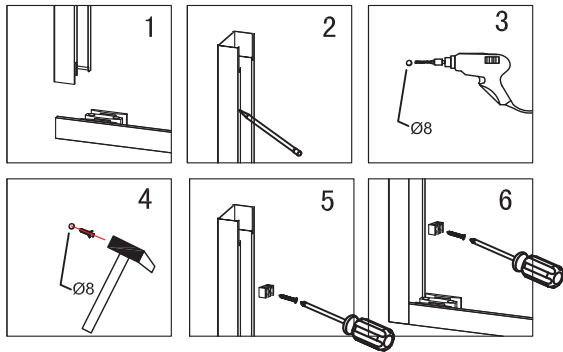
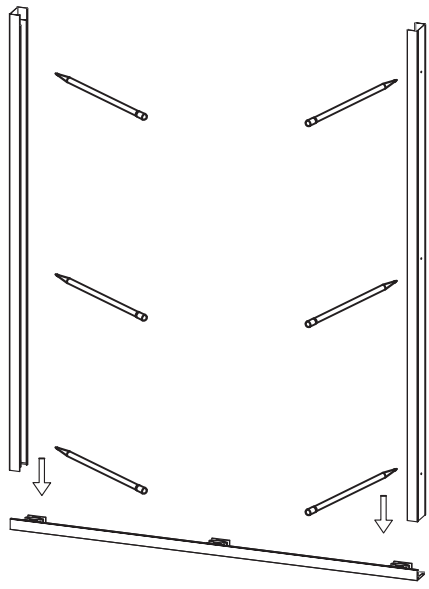
**FOR EXAMPLE**  
 If your wall opening W=59". Your shower model is 60".  
 $L = 60" - 59" = 1"$   
 You have to cut 1" off from the rail.

Please see Fig 2 for details:



# 03

[4]		2X
[10]		1X
[1]		6X
[2]		6X(ST4X45)

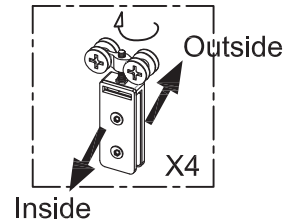
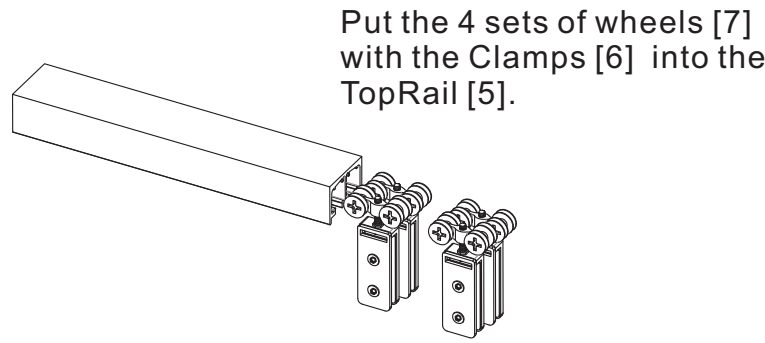


Place the Bottom Rail [10] onto the shower tray or threshold. Put the Wall Jamb [4] to the bottom rail [10]. Then to make the marks through the predrilled holes on the wall Jamb for drilling.

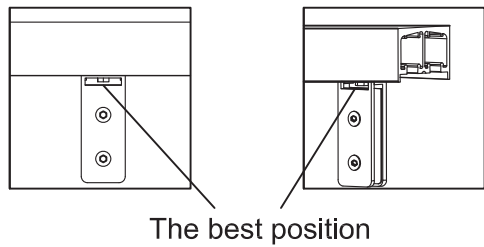
Drill the holes with drill bit  $\varnothing 8$ mm and insert wall Anchor [1], secure the wall Jamb [4] together with the Collision Blocks [3] to the wall with screw M4X45 [2].

# 04

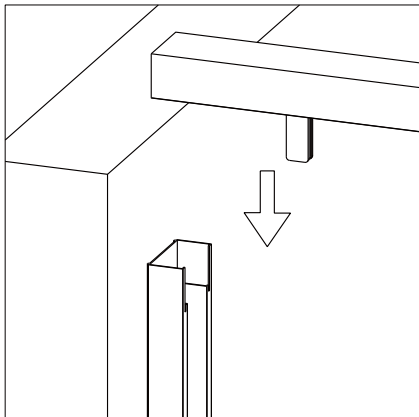
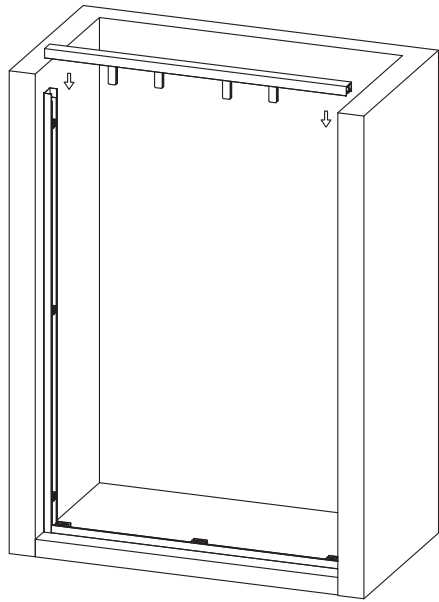
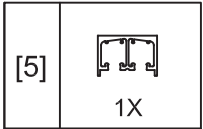
[5]		1X
[6]		4X
[7]		4X



Turn around the wheels make sure the screw Nut/window could be seen after the wheels put into the upper rail.

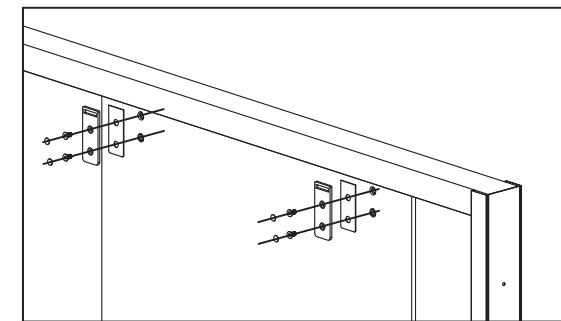
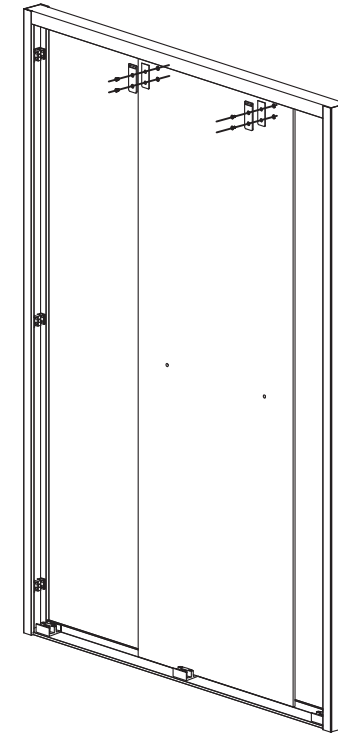
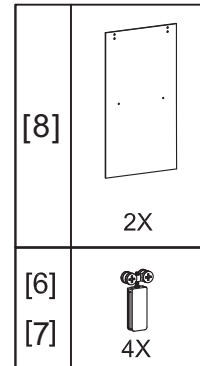


05



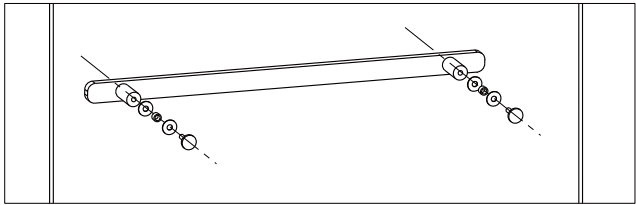
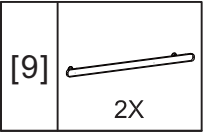
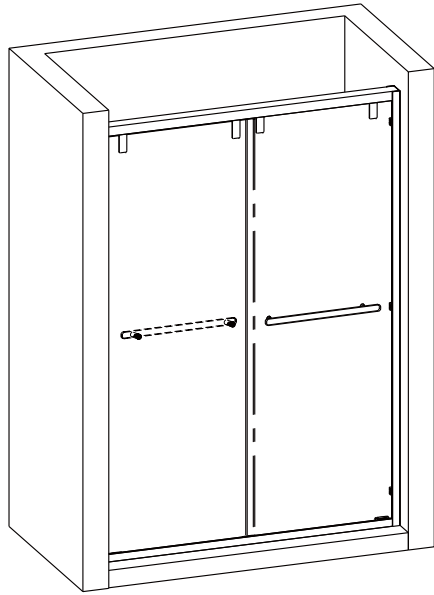
Put the Top Rail [5] onto the top part of the wall Jamb [4] and make sure that the Top Rail matches well with the wall Jamb.

06



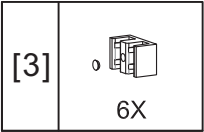
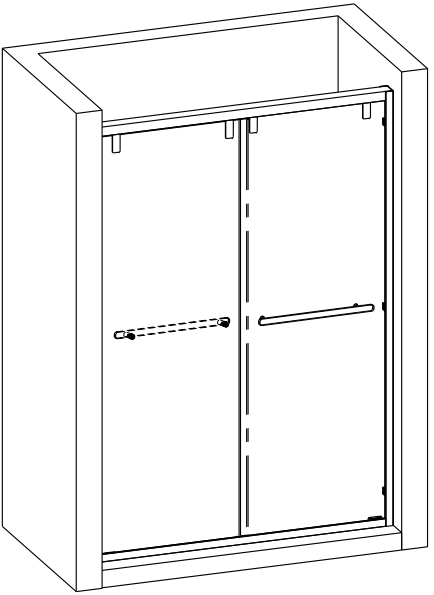
Move the Door Panel [8] to the clamps [6]. Align the holes of glass with the holes of clamps and tighten the screws.

07

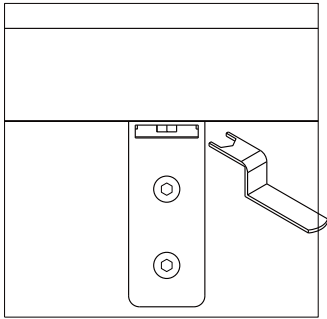
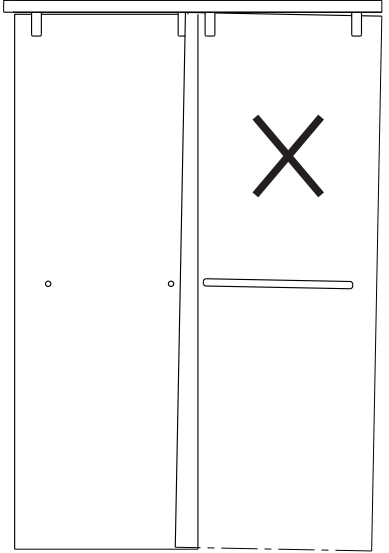
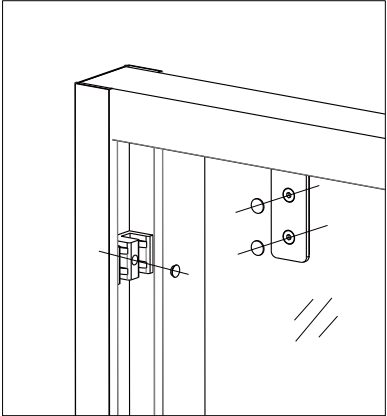


Install the Towel Bar [9] onto the Door panel [8]

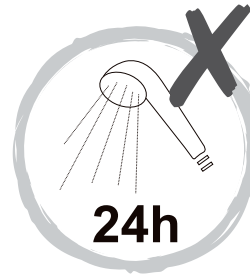
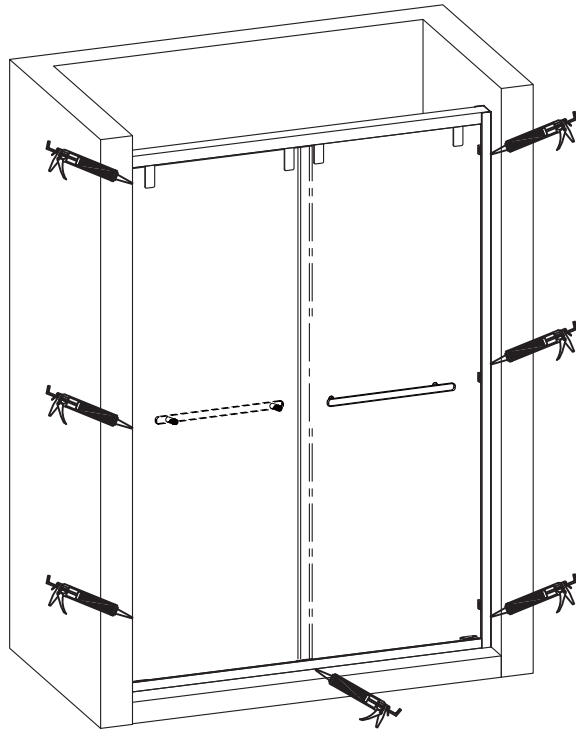
08



If the glass is in a slanting position after installation, it could be adjusted by the adjusting key , to make sure the glass is to be vertical.



Put on the screw covers onto the Collision Blocks [3] and to the Clamps [6].



Seal with Silicone caulk between wall, shower tray or threshold.



Please ensure the bottom horizontal is straight before the silicone sealant to cure fully



Do not use the shower enclosure for at least 24 hour in order to allow the silicone sealant to cure fully.